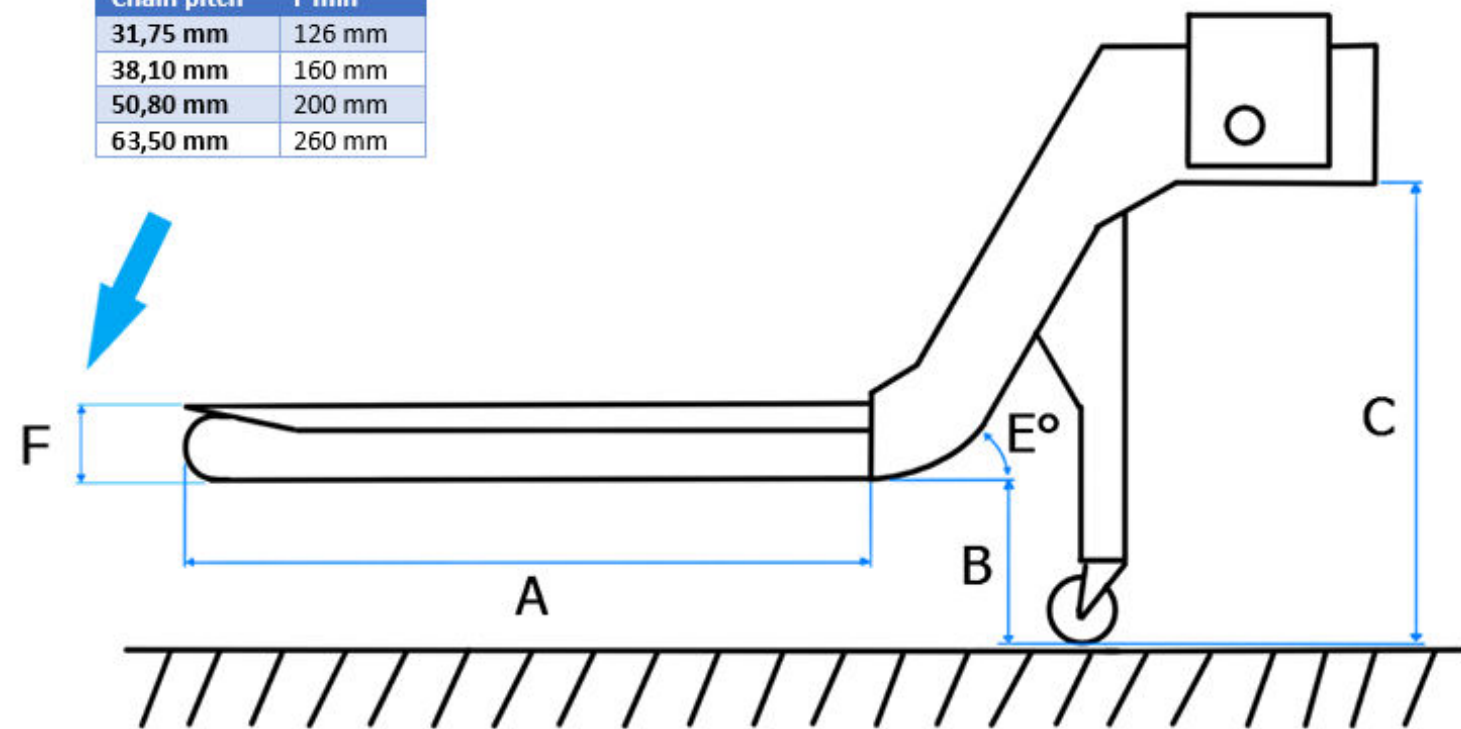


| Chain pitch | F min |
|-------------|--------|
| 31,75 mm | 126 mm |
| 38,10 mm | 160 mm |
| 50,80 mm | 200 mm |
| 63,50 mm | 260 mm |



A _____
 B _____
 C _____
 D _____
 E° _____
 F _____

1
 2

