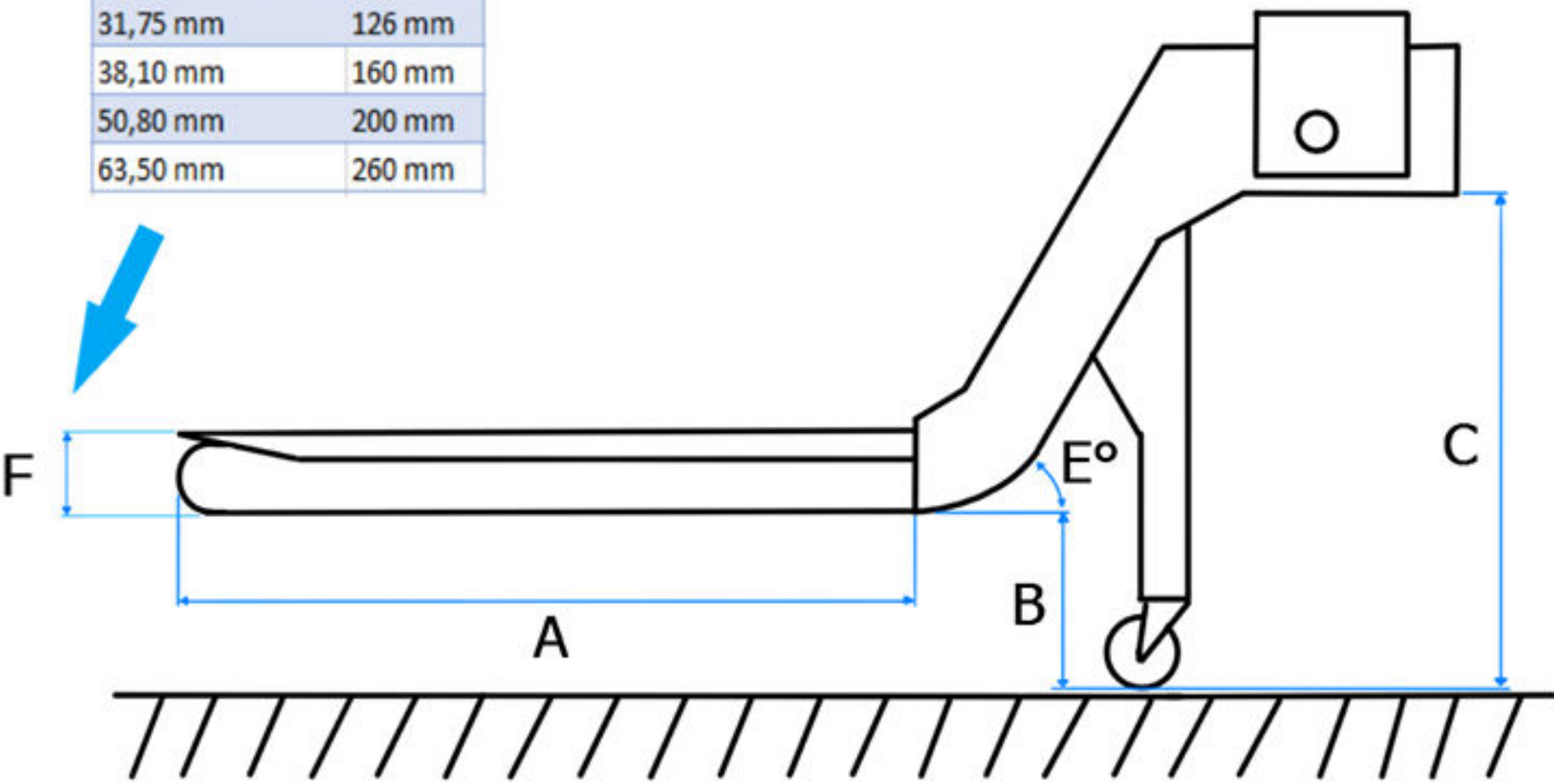


Lamellin leveys	F min
31,75 mm	126 mm
38,10 mm	160 mm
50,80 mm	200 mm
63,50 mm	260 mm



- A _____
- B _____
- C _____
- D _____
- E° _____
- F _____

- 1
- 2

